



# SJ63 AJ

## ARTICULATING BOOM

### STANDARD FEATURES

- EASYDRIVE™ Direction sensing drive and steer controls
- SPEEDYREACH™ Versatility
- SKYRISER™ True vertical rise
- SKYCODED™ Colour coded and numbered wiring system
- AXLDRIIVE™ Axle-based 4WD system
- Operator controlled locking rear differential and limited slip front differential
- Oscillating axle
- 45% Gradeability
- Drivable at full height
- Deutz D2011L04i diesel engine
- ECOSTART (anti-engine idle)
- Wet disc SAHR brakes (front and rear axle)
- Relay based control system
- Proportional controls
- Secondary Guarding Electrical (SGE)
- Overload sensing system
- Tilt alarm with drive cut-out
- 0.91 x 2.44 m Platform
- Modular platform railing system
- Lanyard attachment points
- Tri-entry sliding mid-rail
- Wiring for AC outlet to platform
- 7.5 kW Generator (includes hydraulic oil cooler)
- Swing out engine tray
- Swing up cowlings
- Operator horn
- Hourmeter
- All motion alarm
- Flashing light
- 360° Continuous turret rotation
- Tie down/lifting lugs
- 355/55D625 Grip lug non marking foam filled tyres

### ACCESSORIES AND OPTIONS

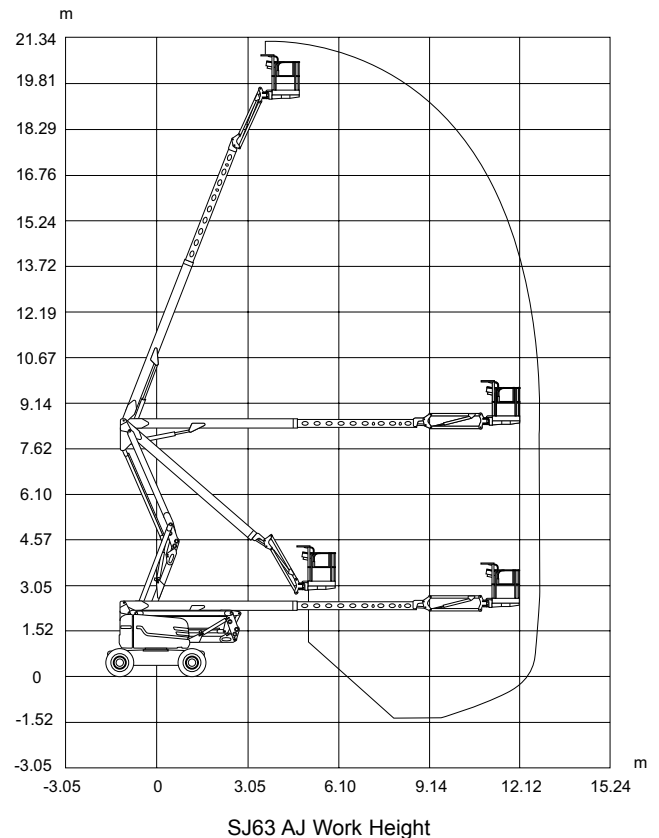
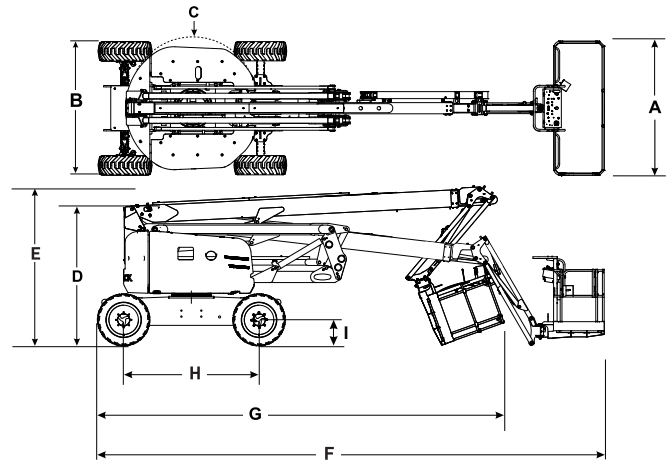
- Glazier kit
- Pipe rack
- Tool caddy
- Platform work lights
- 0.91 x 1.83 m Platform
- Rear Gate
- Half-height mesh platform (either size)
- Auxiliary top rail (0.91 x 2.44 m platform only)
- Diesel scrubber
- Bio oil
- 1/2" Airline to platform
- Hostile environment package (Includes cylinder bellows, boom wipers, covers for the fly boom cutouts, and control box cover)
- Control box cover
- ELEVATE telematics

† Standard lead times may be increased when optional equipment is added, consult factory.

‡ Capacities, and machine weights may differ when options are added.

# SJ63 AJ ARTICULATING BOOM LIFT

Dimensions	SJ63 AJ
Work Height	21.38 m
Platform Height	19.38 m
Horizontal Reach	12.19 m
Up and Over Height	8.38 m
<b>A</b> Platform Size	0.91 x 2.44 m
<b>B</b> Stowed Width	2.44 m
<b>C</b> Tailswing	Zero
<b>D</b> Stowed Height	2.54 m
<b>E</b> Transportation Height	2.79 m
<b>F</b> Stowed Length	9.14 m
<b>G</b> Transportation Length	7.75 m
<b>H</b> Wheelbase	2.44 m
<b>I</b> Ground Clearance	0.33 m
Specifications	SJ63 AJ
Rotation	360° Continuous
Platform Rotation	170°
Jib Length	1.68 m
Jib Range +/-	+65° / -60°
Weight*	9,934 kg
Gradeability	45%
Turning Radius (Inside)	2.21 m
Turning Radius (Outside)	5.31 m
Axle Oscillation	10.16 cm
Drive Speed (High speed)	7.3 km/h
Capacity	227 kg
Local Floor Load (With Rated Load)	8.09 kg/sq cm
Overall Floor Load (With Rated Load)	1,224 kg/sq m
Maximum # of Persons	2
Tyre Type	Foam-Filled Non-Marking
Tyre Size	355/55D625
Diesel Engine	Deutz D2011L04i - 65 HP (48 KW)
Fuel Tank Capacity	115 L
Hydraulic Reservoir	115 L



**Skyjack Australia Pty Ltd**  
 Unit 1, 35 Honeycomb Drive  
 Eastern Creek  
 NSW 2766  
 Australia  
 Phone +61 (0) 2 9854 0700  
 Fax +61 (0) 2 9854 0777  
 Email: jcranmer@skyjack.com

[www.skyjack.com](http://www.skyjack.com)

This brochure is for illustrative purpose only and based on the latest information at the time of printing. Skyjack Inc. reserves the right to make changes at any time, without notice, to specifications, standard and optional equipment. Consult the Operating Maintenance and Parts Manuals for proper procedures. AS marked platforms are in conformance to Standard AS/NZS 1418.10:2011.